

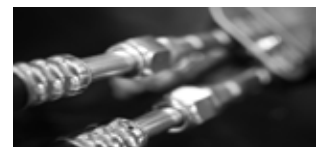


Project Examples

Customized HVAC



Statoil



Compact DX Ex HVAC Unit



End User	National Oil Well
Location	Korea
Capacity Cooling	3,3 kW
Capacity Heating	3,0 kW
Design Conditions	40°C 80%RH
Hazardous Area	Exe de IIC T4



HVAC with seawater cooled condenser



End User	BW-Offshore
Location	Nigera/Okwori
Capacity Cooling	105 kW
Capacity Heating	50 kW
Design Conditions	40°C 90%RH



AC system for DCC & LER



End User	
Location	Abu Dhabi
Capacity Cooling	2x19 kW - 2x24kW
Design Conditions	40°C 90%RH
Hazardous Area	Exe de IIC T4



EX HVAC system for Offshore Crane



End User	Johan Sverdrup
Location	North Sea
Capacity Cooling	12 kW
Capacity Heating	7 kW
Design Conditions	25°C 80%RH



Split DX AC Units with EX Condenser



End User	Various oil companies
Location	Containers worldwide
Capacity	6 kW
Design Conditions	40°C 90%RH
Hazardous Area	Exe de IIC T4

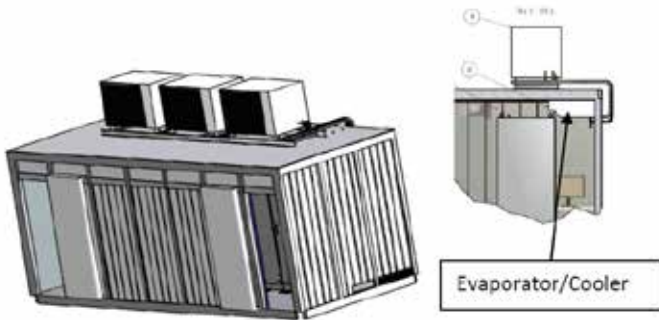
Compact DX AC Units for cooling radar Domes



End User	Various ship companies
Location	Ships worldwide
Capacity	3,5 kW
Design Conditions	40°C 90%RH
Units delivers	Over 1200



Splitt DX Ex AC Units



End User	Conoco Phillips
Location	Ecofisk
Capacity	3 x 15 kW
Design Conditions	25°C 80%RH
Hazardous Area	Exe de IIC T4



Compact DX Ex AC Unit



End User	Total
Location	Pazflot, Angola
Capacity	18,5 kW
Design Conditions	45°C 98%RH
Hazardous Area	Exe de IIC T4

Split DX Ex AC Unit



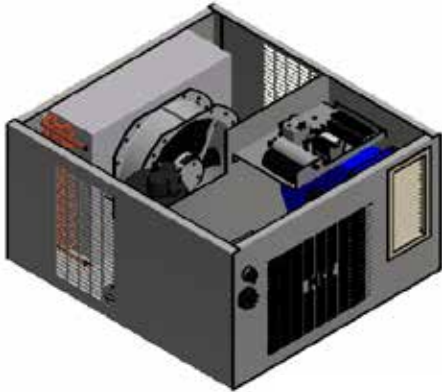
End User	Statoil
Location	North Sea
Capacity	5,0 kW
Design Conditions	25°C 80%RH
Hazardous Area	Exe de IIC T4

Compact DX Ex HVAC Unit

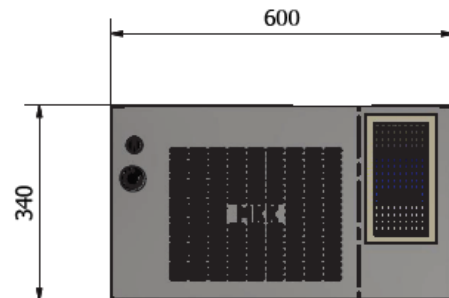
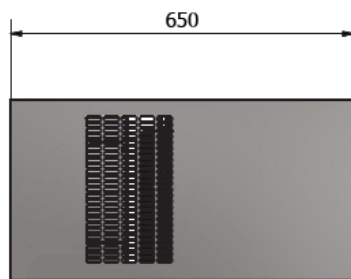


End User	National Oil Well
Location	Different locations in the North Sea
Capacity Cooling	4,0 kW
Capacity Heating	3,0 kW
Design Conditions	25°C 80%RH
Hazardous Area	Exe de IIC T4

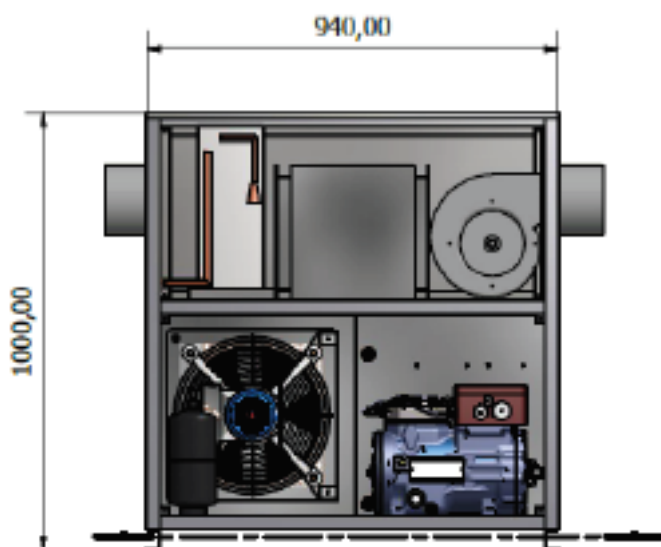
AC 350W - window AC



End User	Various companies
Location	All over the world
Capacity	3,5 kW
Design Conditions	60°C 80%RH
Hazardous Area	Optional



Standard Ex HVAC Unit 2,5kW - 15kW



End User	Various companies
Location	Different locations in the world
Capacity Cooling	2,5 - 15 kW
Design Conditions	45°C 80%RH
Hazardous Area	As acquired