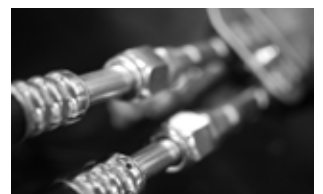
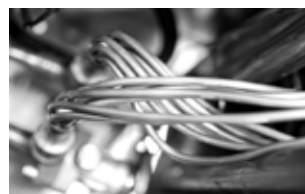
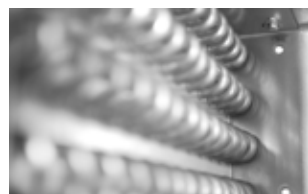
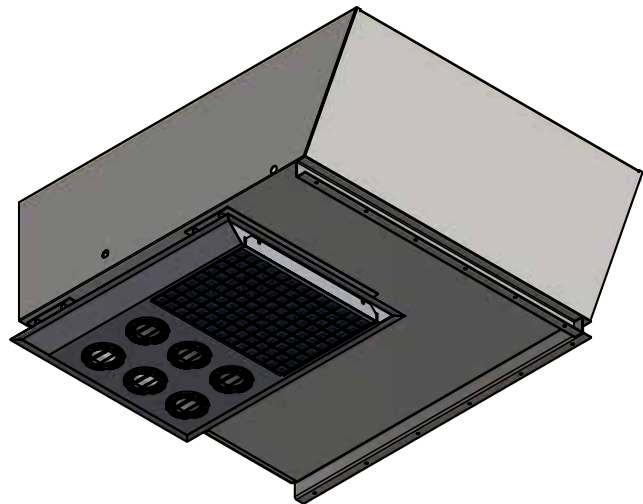


HVAC 400 Cabin

Roof mounted HVAC



HVAC 400C

Roof mounted HVAC



HVAC 400C in brief

HVAC 400C is a compact HVAC-system which is developed for onshore crane cabins.

The unit is developed to be mounted horizontally on the roof of a cabin or a container. Thermostat room sensor is mounted on the inside ceiling.

With approx. 4kW heating / 5kW cooling, adjustable mix ratio between fresh and recycled air, and a coarse filter, the operator has every opportunities to achieve comfortable and productive indoor climate.

Height:	402 mm
Width:	970 mm
Lenght:	1150 mm
Weight:	Ca. 150 or 140 Kg.
Voltage system:	3~380V 60Hz / 1~230V 50Hz
Chassis material:	steel or alu
Cooling capacity:	ca. 5 kW
Heating capacity:	ca. 4 kW
Evaporator temperature:	5°C
Condensing temperature:	40°C
Max power consumption:	ca 11A
Max ambient temperature:	+35°C
Refrigerant:	R-134A

