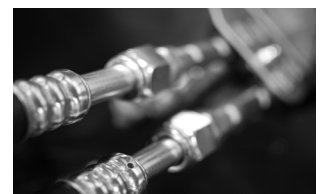
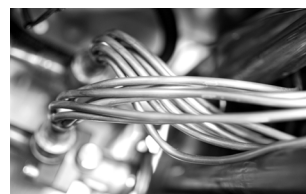
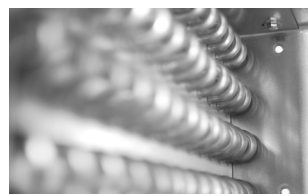
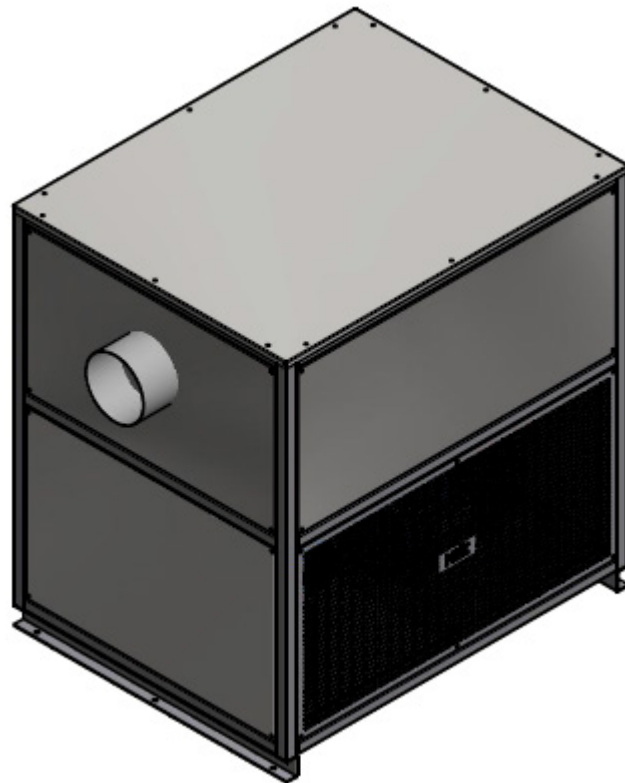


Standard Ex compact units

6 - 9 kW



Standard Ex Compact units



Key Data

Capacity

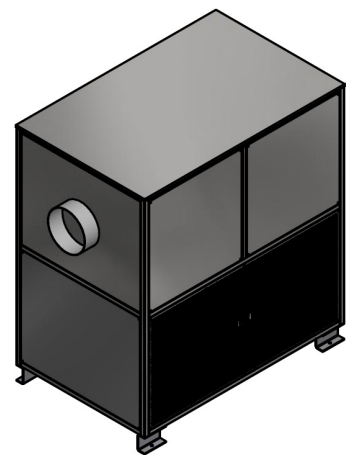
		EX HVAC 600**	EX HVAC 750**	EX HVAC 900**
Cooling*	kW	6	7,5	9
Heating	kW	4	4	6
Air Flow	m ³ /h	1000	1200	1500
Duct connection	Ø mm	250	250	315

*At 40°C ambient temperature

**600 / 900 has one condenser fan/750 has two condenser fans

Dimensions

		EX HVAC 600	EX HVAC 750	EX HVAC 900
Width	(W) mm	1400	1400	1400
Depth	(D) mm	900	900	900
Height	(H) mm	1552	1552	1552
Weight	Kg	310	350	380



The Ex HVAC series is developed especially for operator cabins, containers and electrical rooms in offshore installations.

The system is compressed as much as possible to fit in most environments, but still it has room for modifications for special purposes.

The unit can be installed on top of, beside or under the cabin/container. The air ducts can be pointed either up or to one of the sides. A silencer may be connected to the ducts, which reduces the air noise for the operators. Optional 100% fresh air, 100% recirculated air or mix of fresh and recirculated air.

The units can be supplied with Ex control cabinet for mounting on the unit or NON-Ex control cabinet for placing in safe zone.

The units have AISI 316 chassis, Cu/Cu evaporator/condenser with AISI 316 frames, is very robust and do well even in the aggressive environment that often is present in offshore installations.

The units can also be supplied as NON-Ex.

1. Compressor
2. Condenser Fan
3. Evaporator
4. Heater
5. Evaporator Fan

