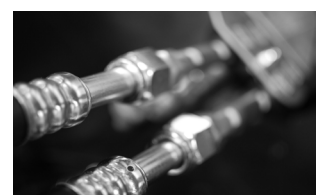
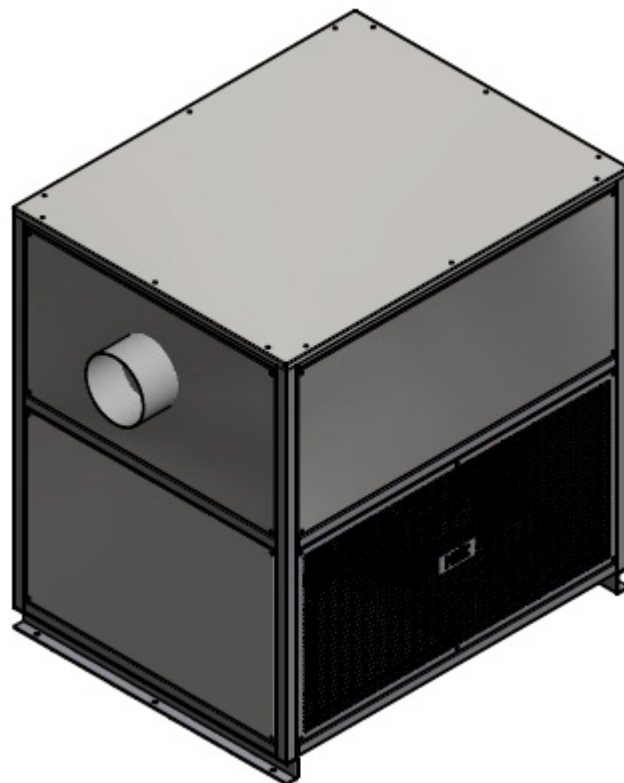


Standard Ex compact units

2,5 - 4 kW



Standard Ex Compact units

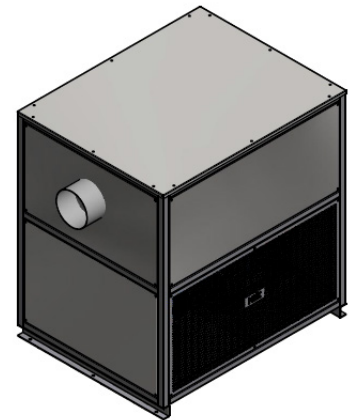


Key Data

Capacity

		EX HVAC 250	EX HVAC 400
Cooling*	kW	2,5	4
Heating	kW	3	3
Air Flow	m ³ /h	500	600
Duct connection	Ø mm	160	200

At 30°C outdoor ambient temperature



Dimensions

		EX HVAC 250	EX HVAC 400
Width	(W) mm	940	940
Depth	(D) mm	750	750
Height	(H) mm	1000	1000
Weight	Kg	175	200

The Ex HVAC series is developed especially for operator cabins, containers and electrical rooms in offshore installations.

The system is compressed as much as possible to fit in most environments, but still it has room for modifications for special purposes.

The unit can be installed on top of, beside or under the cabin/container. The air ducts can be pointed either up or to one of the sides. A silencer may be connected to the ducts, which reduces the air noise for the operators. Optional 100% fresh air, 100% recirculated air or mix of fresh and recirculated air.

The units can be supplied with Ex control cabinet for mounting on the unit or NON-Ex control cabinet for placing in safe zone.

The units have AISI 316 chassis, Cu/Cu evaporator/condenser with AISI 316 frames, is very robust and do well even in the aggressive environment that often is present in offshore installations.

The units can also be supplied as NON-Ex.

