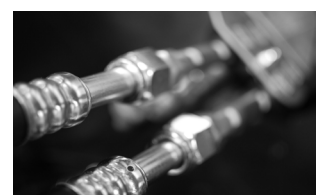
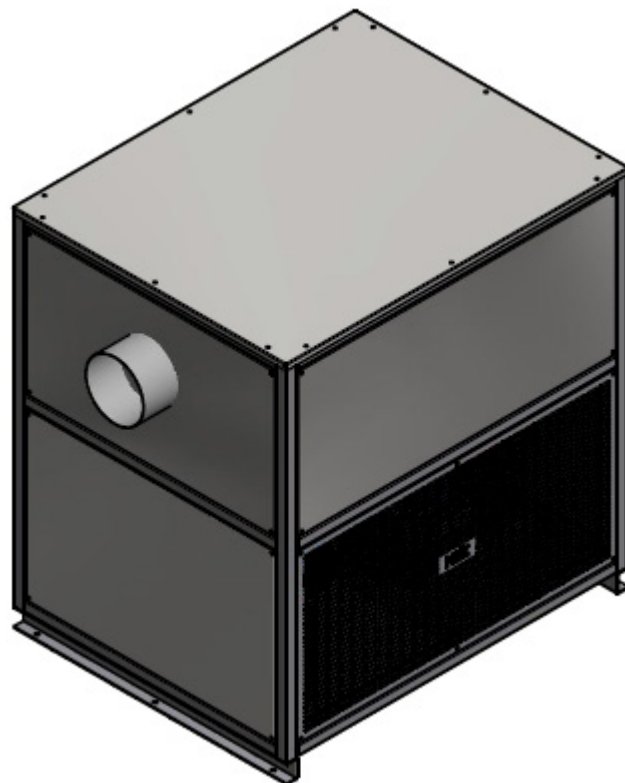


Standard Ex compact units

11 - 15 kW



Standard Ex Compact units



Key Data

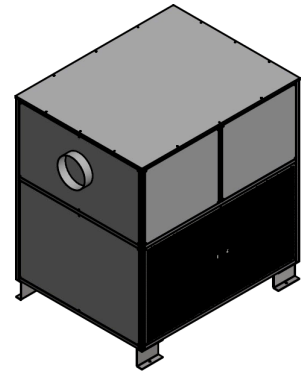
Capacity

		EX HVAC 1100	EX HVAC 1300	EX HVAC 1500
Cooling*	kW	11	13	15
Heating	kW	6	8	10
Air Flow	m ³ /h	1500	1800	2100
Duct connection	Ø mm	315	315	400

At 30°C outdoor ambient temperature

Dimensions

		EX HVAC 1100	EX HVAC 1300	EX HVAC 1500
Width	(W) mm	1500	1500	1500
Depth	(D) mm	1200	1200	1200
Height	(H) mm	1662	1662	1662
Weight	Kg	490	560	650



The Ex HVAC series is developed especially for operator cabins, containers and electrical rooms in offshore installations.

The system is compressed as much as possible to fit in most environments, but still it has room for modifications for special purposes.

The unit can be installed on top of, beside or under the cabin/container. The air ducts can be pointed either up or to one of the sides. A silencer may be connected to the ducts, which reduces the air noise for the operators. Optional 100% fresh air, 100% recirculated air or mix of fresh and recirculated air.

The units can be supplied with Ex control cabinet for mounting on the unit or NON-Ex control cabinet for placing in safe zone.

The units have AISI 316 chassis, Cu/Cu evaporator/condenser with AISI 316 frames, is very robust and do well even in the aggressive environment that often is present in offshore installations.

The units can also be supplied as NON-Ex.

1. Compressor
2. Condenser Fan
3. Evaporator
4. Heater
5. Evaporator Fan

