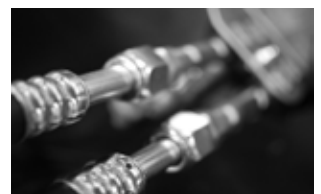
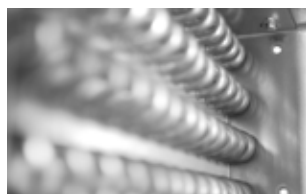




Reference Project

BW-Offshore, Espoir Ivoirien



Lensegata 12
8656 Mosjøen, Norway

Tel: +47 751 13 090
Fax: +47 751 13 091

www.mkk.ac
post@mkk.ac

Company no.
876 035 502 MVA/VAT

Offshore AHU & cooling

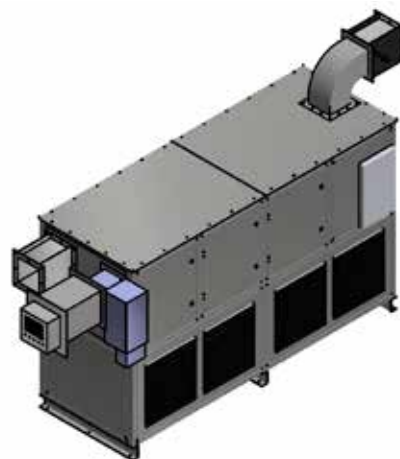


Key Data

Through an life extension of Espoir Ivoirien, MKK participated by manufacturing three separate AHU/ cooling systems for four accommodation cabins, and one Laboratory container.

Supplying, recirculation and extraction of fresh and used air, our units will secure stable operating conditions for both personnel and Equipment. Combined with open deck mounting, and rough and relentless environment we face on the open sea.

MKK constructed these units in stainless steel AISI 316, equipped with epoxy treated evaporator and condenser. With use of high quality Components, our units is designed for excellent performance and long lifetime regardless circumstances.



50mm Access door with compression T-handle and self gripping door sealing

Height:	1899 mm
Width:	970 mm
Lenght:	1018 mm
Weight:	610 kg
Voltage system:	1~230V 60Hz
Chassis material:	AISI 316
Cooling capacity:	ca. 5,8 kW
Evaporator temperature:	5°C
Condensing temperature:	50°C
Refrigerant:	R-134A

